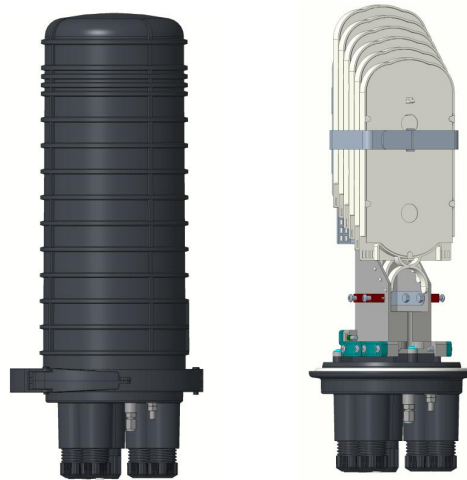




Shenzhen YHT Broadband Equipment Co., Ltd.

Fiber optic splice closure

Model: CV024



Fiber optic splice closure is widely applied to the splicing, distributing variable optical cables and splitting. The solid box shell and the main structure can endure harsh environment. It protects the fiber optic cable from vibration, impact, stretches, twists. The closure can work in $-35^{\circ}\text{C} \sim 70^{\circ}\text{C}$ environment, cold and heat resistance, electrical insulation, chemical corrosion resistance.

Feature:

Material: High impact PP plastic + UV resistance agent.

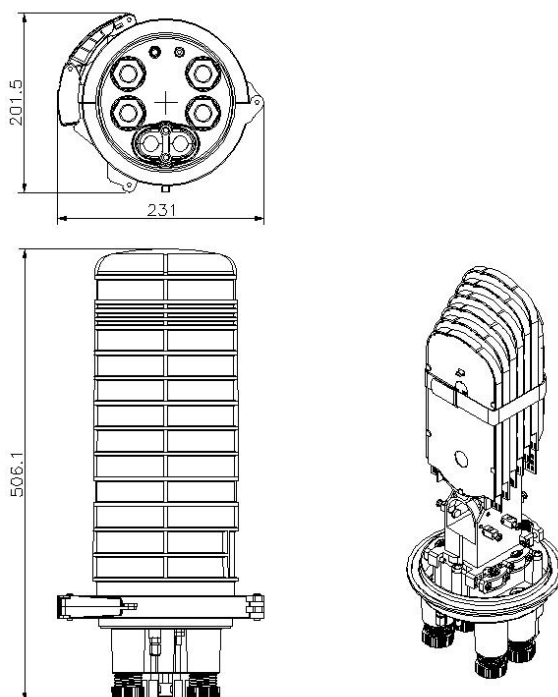
Capacity: Use OST-062 tray, Each tray for 24 fiber splicing. Max. for 6 trays, 144 cores.

Cable ports: 6 pcs $\varnothing 18\text{mm}$ ports (2 pcs $\varnothing 12\text{mm}$ extra spare parts)

Sealing: Mechanical sealing

IP grade: IP68

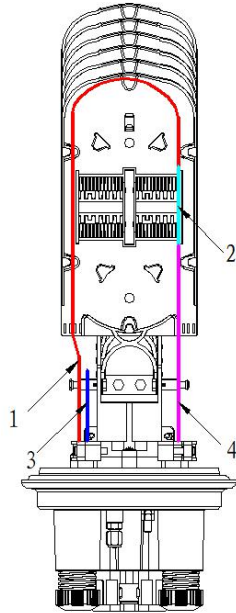
Dimension drawing:





Shenzhen YHT Broadband Equipment Co., Ltd.

Cable management:



1-Input cable 2-Heat shrinkable tube 3-Cable strength member 4-Output cable

Accessories List:

Item	Name	Specification	Unit	Qty
1	Transparent tube	Out diameterΦ4mm Thickness 0.6mm	M	1
2	Cable tie	3mm*120mm/white	PCS	12
3	Internal hexagonal wrench	S5/black/N	PCS	1
4	Heat shrinkable tube	60MM*2.3*1.0/N	PCS	144
5	Cable port sealing plug C	CV024-11/30° TPE/black	PCS	2
6	M31 Plug wrench	OTB-P037-24 white zinc plating	PCS	1

Product pictures:

